



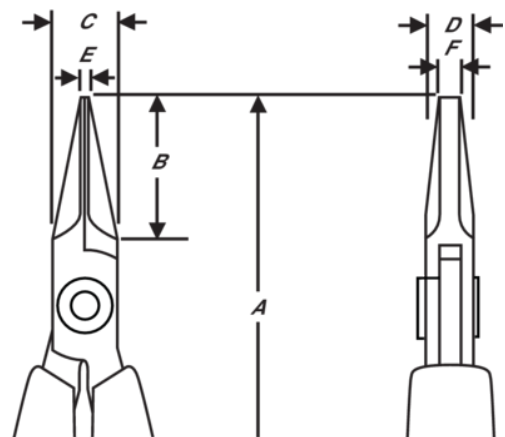
RX7392

**ERGO™ Precision Chainmaille Flat
Oblique Nose Stubby Pliers with
Synthetic Handle 137 mm**







PRODUCT DETAILS

- Two-component Ergo™ handles: Thermoplastic surface on tough polypropylene provides superior grip
- Material: High performance alloy steel
- Polished and tough hardened 55-58 HRC
- Precision screw joint that minimizes friction and maximizes alignment of cutting edges
- Micro-Touch™: The shape of the handles makes it possible to control and rotate the pliers between thumb and index finger for precision work
- Biospring® reduces tension throughout the working cycle of the tool and can be adjusted in three different positions
- Burnished finish



PRODUCT ATTRIBUTES

Product: **RX7392**

	Oblique, Stubby		S	A	137 mm
A	5.40 in	B	12 mm	B	0.48 in
C	10 mm	C	0.39 in	D	6 mm
D	0.24 inch	E	6 mm	E	0.24 in
F	1.6 mm	F	0.07 in		Smooth
	70 g	Ω	Dissipative		