

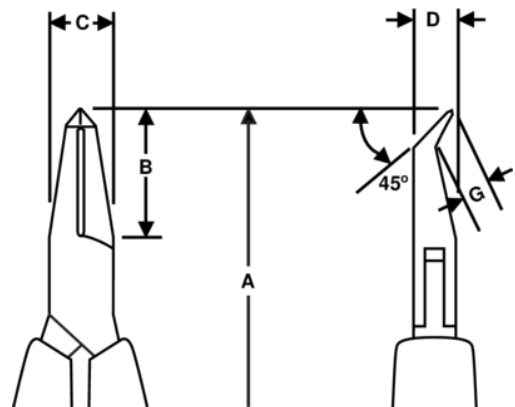


**HS-7280**  
**Long Precision Reverse Oblique**  
**Cutters 0.2 mm-08 mm**







**PRODUCT DETAILS**

- Long, foam covered handles provide added leverage, an ergonomic grip, and reduced fatigue
- HS handle option can be applied to any standard 80 Series cutters or Supreme Series cutters and pliers
- All HS cutters and pliers are ESD safe, using static dissipative foam grips over conductive spring holders
- Contact Lindström for additional options



PRODUCT ATTRIBUTES

Product: **HS-7280**

|   |            |   |              |   |          |
|---|------------|---|--------------|---|----------|
|  | Angle 45°  |  | S            | <b>A</b>  | 150.3 mm |
| <b>A</b>  | 5.91 in    | <b>B</b>  | 18 mm        | <b>B</b>  | 0.71 in  |
| <b>C</b>  | 9 mm       | <b>C</b>  | 0.35 in      | <b>D</b>  | 6 mm     |
| <b>D</b>  | 0.24 inch  | <b>G</b>  | 3.5 mm       | <b>G</b>  | 0.14 in  |
|  | 0.2-0.8 mm |  | 0.01-0.03 in |  | Flush    |
|  | 102 g      | <b>Ω</b>  | Dissipative  |   |          |