



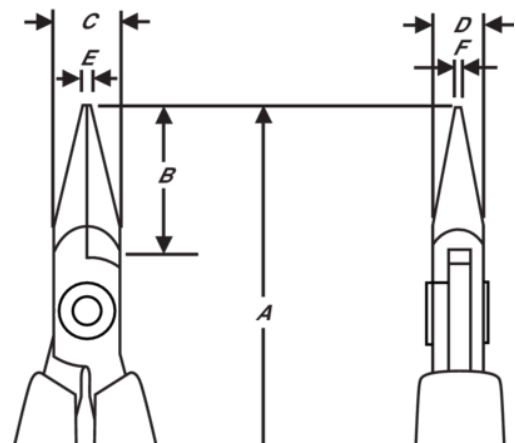
RX-7894

**ERGO™ Needle Nose Pliers with
2-Component Handle & Smooth
Jaw 178 mm**







PRODUCT DETAILS

- Developed according to the ERGO® process for a comfortable and effective grip in all situations
- Material: High performance alloy steel
- Polished and tough hardened 55-58 HRC
- Precision screw joint that minimizes friction and maximizes alignment of jaw alignment
- Micro-Touch™: The shape of the handles makes it possible to control and rotate the pliers between thumb and index finger for precision work
- Biospring® reduces tension throughout the working cycle of the tool and can be easily adjusted in three different positions



PRODUCT ATTRIBUTES

Product: **RX-7894**

	Needle Nose		L	A	158.5 mm
A	6.24 in	B	32 mm	B	1.26 in
C	9 mm	C	0.35 in	D	6 mm
D	0.24 inch	E	1.2 mm	E	0.05 in
F	0.8 mm	F	0.03 in		Smooth
	70 g				