



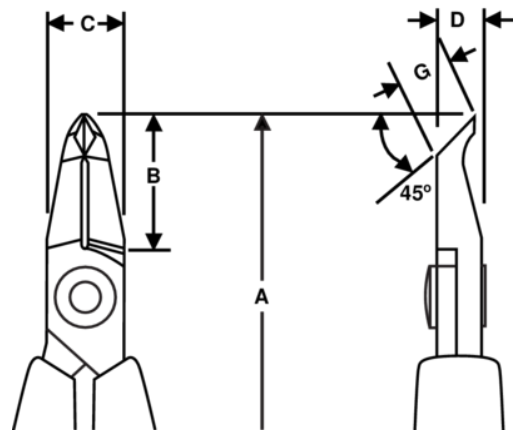
CO8247

**Precision 45° Head Oblique
Cutters 0.2 mm-1 mm**






PRODUCT DETAILS

- Material: High performance alloy steel
- Exacting induction hardened edges 63–65 HRC
- ESD safe handles in synthetic material with leaf springs
- Precision screw joint minimizes friction and maximizes alignment of cutting edges
- Cutting capacity is listed for solid copper wire
- Burnished finish



PRODUCT ATTRIBUTES

Product: **CO8247**

	Angle 45°		S	A	117.5 mm
A	4.63 in	B	18 mm	B	0,71 in
C	10 mm	C	0.39 in	D	6 mm
D	0,24 inch	G	6,7 mm	G	0,26 in
	0.2-1.0 mm		0.01-0.04 in		Flush
	51 g	Ω	Conductive		