



HS-7891

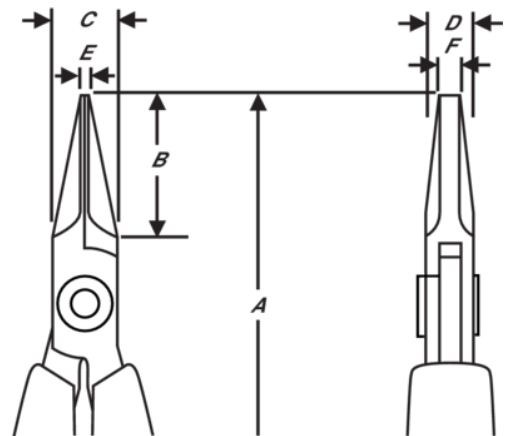
Long Snipe Nose Pliers with
Synthetic Handle & Serrated Jaw
132 mm



PRODUCT DETAILS





- Long, foam covered handles provide added leverage, an ergonomic grip, and reduced fatigue
- HS handle option can be applied to any standard 80 Series cutters or Supreme Series cutters and pliers

- All HS cutters and pliers are ESD safe, using static dissipative foam grips over conductive spring holders



PRODUCT ATTRIBUTES

Product: **HS-7891**

| | | | | | |
|---|------------|---|---------|---|----------|
|  | Chain Nose |  | M | A | 164.3 mm |
| A | 6.47 in | B | 32 mm | B | 1.26 in |
| C | 9 mm | C | 0.35 in | D | 6 mm |
| D | 0.24 inch | E | 1.2 mm | E | 0.05 in |
| F | 0.8 mm | F | 0.03 in |  | Serrated |
|  | 106 g | | | | |