



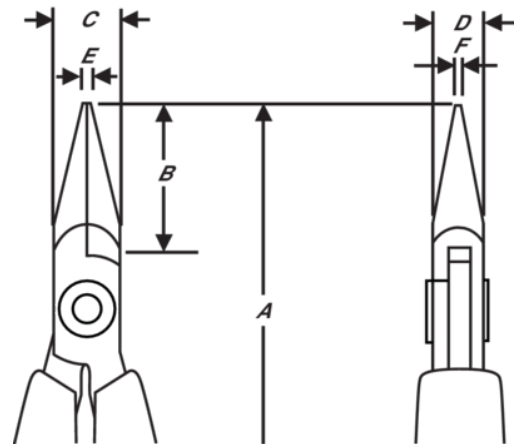
**7893K**

**Short Serrated Snipe Nose Pliers  
with Synthetic Handle**







**PRODUCT DETAILS**

- Supreme series short snipe nose pliers
- ESD safe mono-material handles with return spring
- High performance alloyed steel
- Polished finish
- Numerically controlled machine grinding guarantees accuracy & increases the tools reliability & consistency
- Tough hardened 42-46 HRC
- Screw joint that minimizes friction & maximizes jaw alignment
- 20 mm of serrated jaws with radiused edges



PRODUCT ATTRIBUTES

Product: **7893K**

	Snipe Nose, Short		S	<b>A</b>	120 mm
<b>A</b>	4.72 in	<b>B</b>	20 mm	<b>B</b>	0.79 in
<b>C</b>	9 mm	<b>C</b>	0.35 in	<b>D</b>	6 mm
<b>D</b>	0.24 inch	<b>E</b>	1.2 mm	<b>E</b>	0.05 in
<b>F</b>	0.8 mm	<b>F</b>	0.03 in		Serrated
	56 g	<b>Ω</b>	Dissipative		