

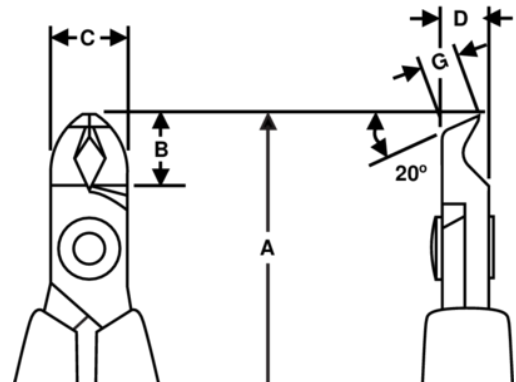


**8211**  
**Short Precision 20° Head Oblique**  
**Cutters 0.2 mm-1.2 mm**



**PRODUCT DETAILS**

- Material: High performance alloy steel
- Exacting induction hardened edges 63–65 HRC
- ESD safe handles in synthetic material with leaf springs
- Precision screw joint minimizes friction and maximizes alignment of cutting edges
- Cutting capacity is listed for solid copper wire
- Burnished finish



PRODUCT ATTRIBUTES

Product: **8211**

	Angle 20°		S		Flush
	0.2-1.2 mm		0.01-0.05 in	<b>A</b>	110 mm
<b>A</b>	4.33 in	<b>B</b>	9.5 mm	<b>B</b>	0.37 in
<b>C</b>	10 mm	<b>C</b>	0.39 in	<b>D</b>	6 mm
<b>D</b>	0.24 inch	<b>G</b>	4.1 mm	<b>G</b>	0.16 in
	43 g	<b>Ω</b>	Dissipative		