



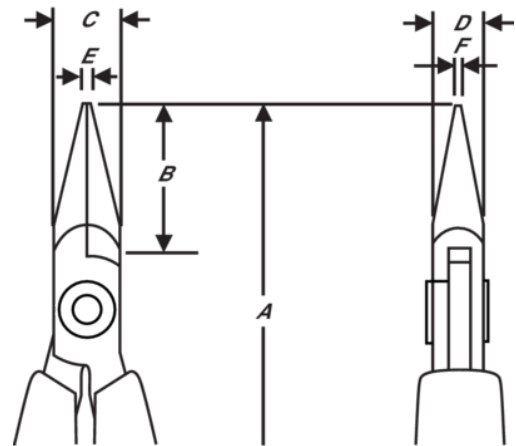
7894

**Precision Needle Nose Pliers with
2-Component Handle & Smooth
Jaw 178 mm**







PRODUCT DETAILS

- Material: High performance alloy steel
- Polished and hardened to 58–60 HRC
- Precision screw joint that minimizes friction and maximizes jaw alignment
- ESD safe handles in synthetic material with return spring
- 32 mm jaws with radiused edges



PRODUCT ATTRIBUTES

Product: **7894**

	Needle Nose		L	A	132 mm
A	5.20 in	B	32 mm	B	1.26 in
C	9 mm	C	0.35 in	D	6 mm
D	0.24 inch	E	1.2 mm	E	0.05 in
F	0.8 mm	F	0.03 in		Smooth
	56 g	Ω	Dissipative		