



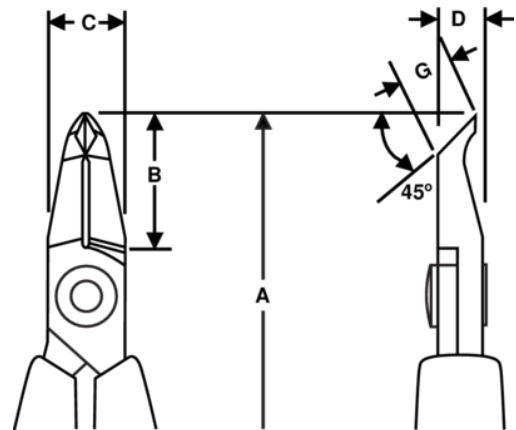
**7285**

**Flush Precision Cut 45° Angle  
Oblique Cutter 0.2 mm-1 mm**








## PRODUCT DETAILS

- Material: High performance alloy steel
- Polished and precision induction hardened to 58–60 HRC
- Precision screw joint that minimizes friction and maximizes alignment of cutting edges
- ESD safe handles in synthetic material with leaf springs
- Cutting capacity is listed for solid cooper wire



PRODUCT ATTRIBUTES

Product: **7285**

	Angle 45°		S		Flush
	0.2-1.0 mm	<b>A</b>	120 mm	<b>A</b>	4.72 in
<b>B</b>	20 mm	<b>B</b>	0.79 in	<b>C</b>	9 mm
<b>C</b>	0.35 in	<b>D</b>	6 mm	<b>D</b>	0.24 inch
<b>F</b>	6 mm	<b>F</b>	0.26 in		56 g
<b>Ω</b>	Dissipative				