

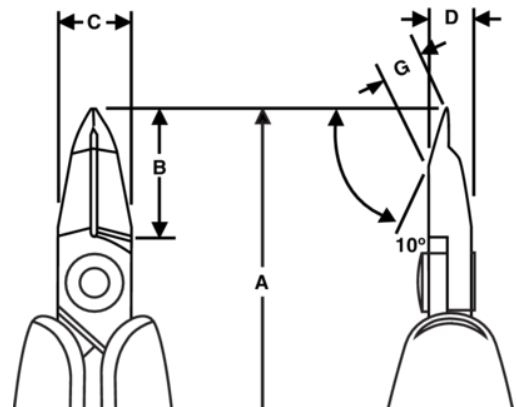


**RX8234A**  
**Ergo™ Flush Precision Cut Micro**  
**Tip Cutter 141 mm**



**PRODUCT DETAILS**

- Ideal for rework and close fine pitch Applications
- Developed according to the ERGO® process for a comfortable and effective grip in all situations
- Material: High performance alloy steel
- Precision induction hardened edges 63–65 HRC
- ESD safe handles in 2-component synthetic material
- Precision screw joint minimizes friction and maximizes alignment of cutting edges
- Biospring® reduces tension throughout the working cycle of the tool and can be adjusted in three different positions
- Cutting capacity listed is for solid copper wire
- Burnished finish



PRODUCT ATTRIBUTES

Product: **RX8234A**

	Micro Tip 10°		XS		Flush
	0.05-0.4 mm		0.002-0.018 in	<b>A</b>	141 mm
<b>A</b>	4.50 in	<b>B</b>	14.2 mm	<b>B</b>	0.56 in
<b>C</b>	10.6 mm	<b>C</b>	0.41 in	<b>D</b>	7 mm
<b>D</b>	0.27 inch	<b>G</b>	3.2 mm	<b>G</b>	0.12 in
	62 g	<b>Ω</b>	Dissipative		