

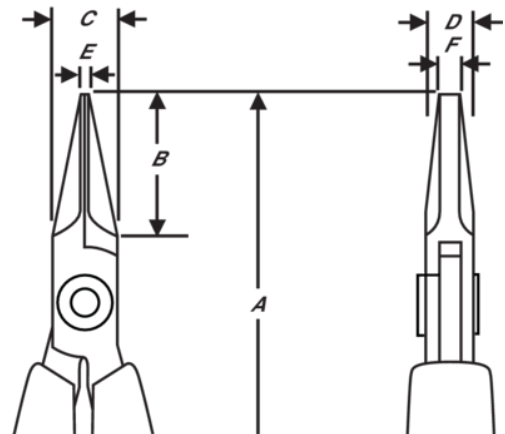


RX 7490
ERGO™ Precision Flat Nose Pliers
with Synthetic Handle 146.5 mm







PRODUCT DETAILS

- Precision flat nose pliers developed according to the scientific ERGO™ process
- ERGO™ handles with two-component combination, thermoplastic surface, for comfortable grip, on tough polypropylene core for rigidity
- High performance alloyed steel
- Polished finish
- Numerically controlled machine grinding guarantees accuracy & increases the tool's reliability & consistency
- Tough, hardened 42 HRC to 46 HRC
- Screw joint minimises friction & maximises jaw alignment
- ESD safe handles in two-component synthetic material
- Micro-Touch: the shape of the handles makes it possible to control & rotate the pliers between thumb & index finger for precision work
- Bio spring limits the tension throughout the working cycle of the tool & can be adjusted to 3 different positions or removed



PRODUCT ATTRIBUTES

Product: **RX 7490**

	Flat Nose		S	A	146.5 mm
A	5.77 in	B	20 mm	B	0.79 in
C	9 mm	C	0.35 in	D	6.7 mm
D	0.26 inch	E	1.2 mm	E	0.05 in
F	3.2 mm	F	0.12 in		Smooth
	70 g	Ω	Dissipative		