



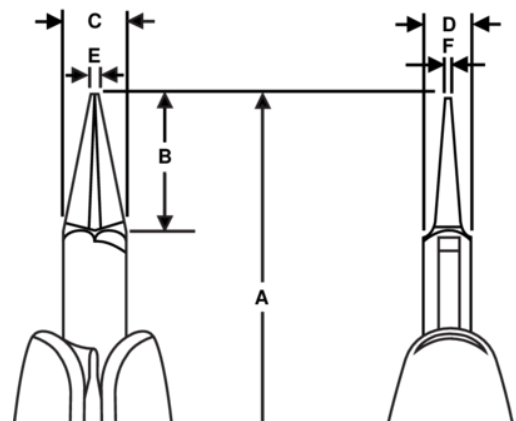
7590 CO

Round Nose Pliers with Conductive Material Handle 120 mm







PRODUCT DETAILS

- Supreme series round nose pliers
- Round jaws taper from 7 mm to 1.0 mm at the tip
- ESD safe mono-material handles with return spring
- High performance alloyed steel
- Polished finish
- Numerically controlled machine grinding guarantees accuracy & increases the tools reliability & consistency
- Tough hardened 42-46 HRC
- Screw joint that minimizes friction & maximizes jaw alignment
- Round jaws with no sharp edges
- 7591 with long tip



PRODUCT ATTRIBUTES

Product: **7590 CO**

| | | | | | |
|---|------------|---|------------|---|----------|
|  | Round Nose |  | S | A | 146.5 mm |
| A | 5.77 in | B | 20 mm | B | 0.79 in |
| C | 9 mm | C | 0.35 in | D | 6 mm |
| D | 0.24 inch | E | 1.4 mm | E | 0.055 in |
| F | 0.7 mm | F | 0.027 in |  | Smooth |
|  | 54 g | Ω | Conductive | | |