



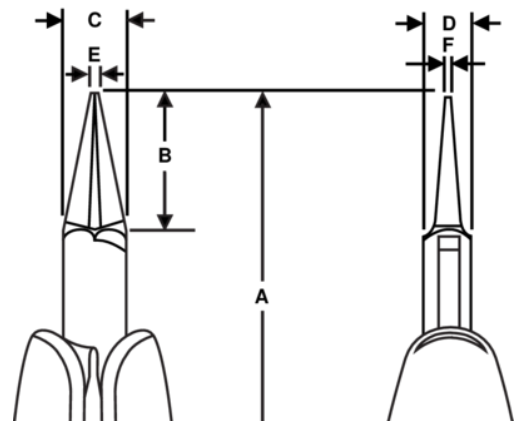
HS 7590

Long Round Nose Pliers with Synthetic Handle







PRODUCT DETAILS

- HS series round nose pliers
- ESD safe long foam handles with return spring
- High performance alloy steel
- Polished finish
- Numerically controlled machine grinding ensures edge angle accuracy and contact, increasing tool reliability and consistency
- Tough, hardened 42-46 HRC
- Screw joint minimises friction and maximises jaw alignment
- Round jaws with no sharp edges



PRODUCT ATTRIBUTES

Product: **HS 7590**

	Round Nose		S	A	152.3 mm
A	5.99 in	B	20 mm	B	0.79 in
C	9 mm	C	0.35 in	D	6 mm
D	0.24 inch	E	1.4 mm	E	0.055 in
F	0.7 mm	F	0.027 in		Smooth
	101 g	Ω	Dissipative		