



## HS 7590

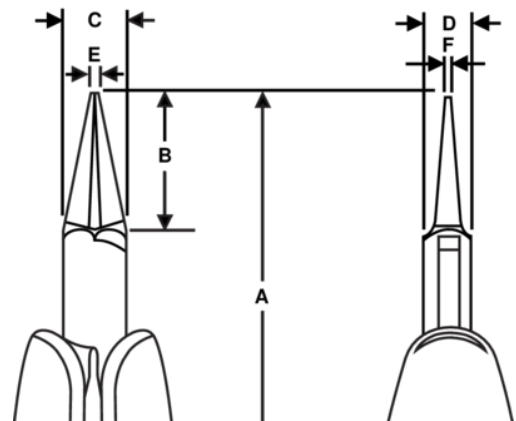
### Long Round Nose Pliers with Synthetic Handle 120 mm



#### PRODUCT DETAILS





- HS series round nose pliers
- ESD safe long foam handles with return spring
- High performance alloy steel
- Polished finish

- Numerically controlled machine grinding ensures edge angle accuracy and contact, increasing tool reliability and consistency
- Tough, hardened 42-46 HRC
- Screw joint minimises friction and maximises jaw alignment
- Round jaws with no sharp edges



PRODUCT ATTRIBUTES

Product: **HS 7590**

	Round Nose		S	<b>A</b>	152.3 mm
<b>A</b>	5.99 in	<b>B</b>	20 mm	<b>B</b>	0.79 in
<b>C</b>	9 mm	<b>C</b>	0.35 in	<b>D</b>	6 mm
<b>D</b>	0.24 inch	<b>E</b>	1.4 mm	<b>E</b>	0.055 in
<b>F</b>	0.7 mm	<b>F</b>	0.027 in		Smooth
	101 g	<b>Ω</b>	Dissipative		