



7285

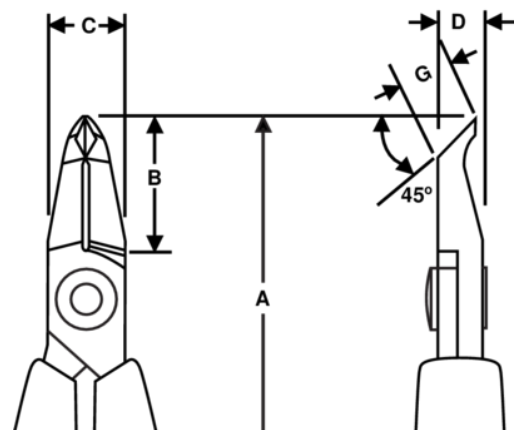
**Flush Precision Cut 45° Angle
Oblique Cutter 0.2 -1 mm**



PRODUCT DETAILS






- Supreme series 45° oblique cutter
- ESD safe mono-material handles with return spring
- Flush cut
- The cutting capacity given is for copper wire
- Suitable for cutting Cu
- High performance alloyed steel

- Polished finish
- Numerically controlled machine grinding guarantees edge angle accuracy & contact, increases the tools reliability & consistency
- Precision induction hardened edges 58-60 HRC
- Screw joint that minimizes friction & maximizes alignment of cutting edges
- Ideal for rework & close assembly needs



PRODUCT ATTRIBUTES

Product: **7285**

	Angle 45°		S		Flush
	0.2-1.0 mm	A	120 mm	A	4.72 in
B	20 mm	B	0.79 in	C	9 mm
C	0.35 in	D	6 mm	D	0.24 inch
F	6 mm	F	0.26 in		56 g
Ω	Dissipative				