



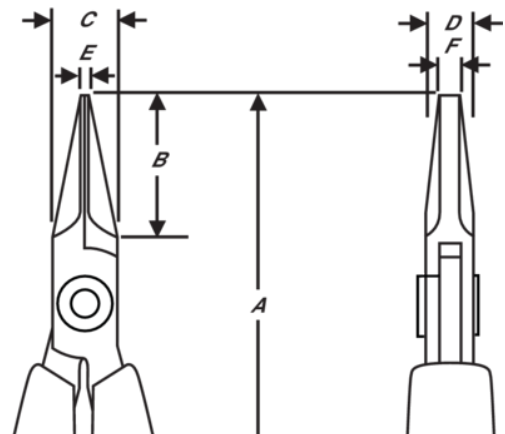
## RX 7390

### ERGO™ Precision Chainmaille Flat Straight Nose Stubby Pliers with Synthetic Handle







#### PRODUCT DETAILS

- Precision Chainmaille Flat Nose stubby plier developed according to the scientific ERGO™ proces
- ESD safe mono-material handles with return spring #High performance alloyed steel Polished finish
- Numerically controlled machine grinding guarantees accuracy & increases the tools reliability & consistency
- Tough hardened 42-46 HRC
- Screw joint that minimizes friction & maximizes jaw alignment
- 20 mm of smooth gripping jaws with radiused edges



PRODUCT ATTRIBUTES

Product: **RX 7390**

	Flat Nose Stubby		S	<b>A</b>	137 mm
<b>A</b>	5.40 in	<b>B</b>	11 mm	<b>B</b>	0.43 in
<b>C</b>	10 mm	<b>C</b>	0.39 in	<b>D</b>	6 mm
<b>D</b>	0.24 inch	<b>E</b>	6 mm	<b>E</b>	0.24 in
<b>F</b>	0.8 mm	<b>F</b>	0.07 in		Smooth
	70 g	<b>Ω</b>	Dissipative		