



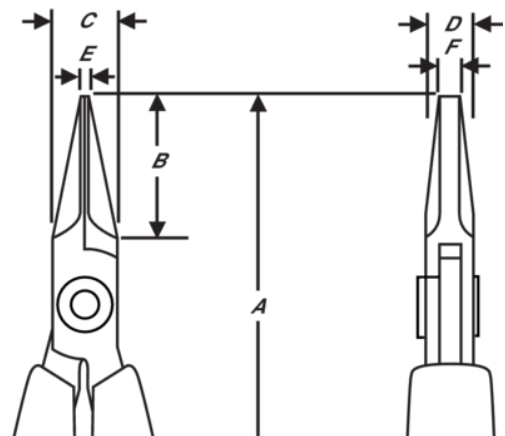
## RX 7490

### ERGO™ Precision Flat Nose Pliers with Dual-Component Synthetic Handle







#### PRODUCT DETAILS

- Precision flat nose pliers developed according to the scientific ERGO™ process
- ERGO™ handles with two-component combination, thermoplastic surface, for comfortable grip, on tough polypropylene core for rigidity
- High performance alloyed steel
- Polished finish
- Numerically controlled machine grinding guarantees accuracy & increases the tool's reliability & consistency
- Tough, hardened 42 HRC to 46 HRC
- Screw joint minimises friction & maximises jaw alignment
- ESD safe handles in two-component synthetic material
- Micro-Touch: the shape of the handles makes it possible to control & rotate the pliers between thumb & index finger for precision work
- Bio spring limits the tension throughout the working cycle of the tool & can be adjusted to 3 different positions or removed



PRODUCT ATTRIBUTES

Product: **RX 7490**

	Flat Nose		S	<b>A</b>	146.5 mm
<b>A</b>	5.77 in	<b>B</b>	20 mm	<b>B</b>	0.79 in
<b>C</b>	9 mm	<b>C</b>	0.35 in	<b>D</b>	6.7 mm
<b>D</b>	0.26 inch	<b>E</b>	1.2 mm	<b>E</b>	0.05 in
<b>F</b>	3.2 mm	<b>F</b>	0.12 in		Smooth
	70 g	<b>Ω</b>	Dissipative		