

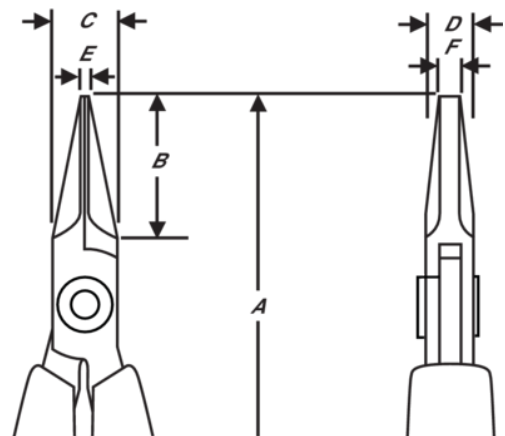


RX 7490
ERGO™ Precision Flat Nose Pliers
with Synthetic Handle 146.5 mm







PRODUCT DETAILS

- Precision flat nose pliers developed according to the scientific ERGO™ process
- ERGO™ handles with two-component combination, thermoplastic surface, for comfortable grip, on tough polypropylene core for rigidity
- High performance alloyed steel
- Polished finish
- Numerically controlled machine grinding guarantees accuracy & increases the tool's reliability & consistency
- Tough, hardened 42 HRC to 46 HRC
- Screw joint minimises friction & maximises jaw alignment
- ESD safe handles in two-component synthetic material
- Micro-Touch: the shape of the handles makes it possible to control & rotate the pliers between thumb & index finger for precision work
- Bio spring limits the tension throughout the working cycle of the tool & can be adjusted to 3 different positions or removed



PRODUCT ATTRIBUTES

Product: **RX 7490**

| | | | | | |
|---|-----------|---|-------------|---|----------|
|  | Flat Nose |  | S | A | 146.5 mm |
| A | 5.77 in | B | 20 mm | B | 0.79 in |
| C | 9 mm | C | 0.35 in | D | 6.7 mm |
| D | 0.26 inch | E | 1.2 mm | E | 0.05 in |
| F | 3.2 mm | F | 0.12 in |  | Smooth |
|  | 70 g | Ω | Dissipative | | |