



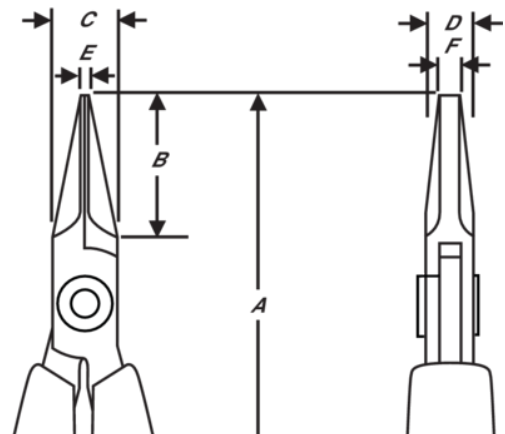
RX 7390

ERGO™ Precision Chainmaille Flat Straight Nose Stubby Pliers with Synthetic Handle 137 mm







PRODUCT DETAILS

- Precision Chainmaille Flat Nose stubby plier developed according to the scientific ERGO™ proces
- ESD safe mono-material handles with return spring #High performance alloyed steel Polished finish
- Numerically controlled machine grinding guarantees accuracy & increases the tools reliability & consistency
- Tough hardened 42-46 HRC
- Screw joint that minimizes friction & maximizes jaw alignment
- 20 mm of smooth gripping jaws with radiused edges



PRODUCT ATTRIBUTES

Product: **RX 7390**

	Flat Nose Stubby		S	A	137 mm
A	5.40 in	B	11 mm	B	0.43 in
C	10 mm	C	0.39 in	D	6 mm
D	0.24 inch	E	6 mm	E	0.24 in
F	0.8 mm	F	0.07 in		Smooth
	70 g	Ω	Dissipative		