



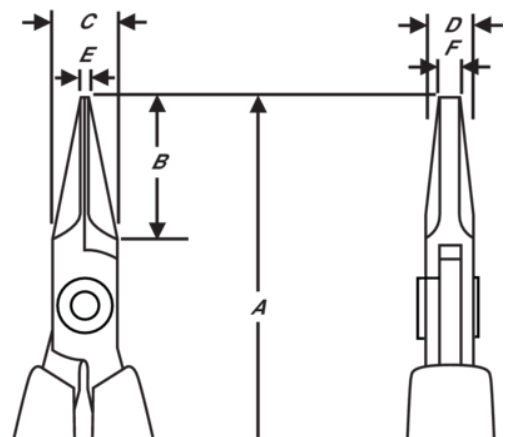
HS 7490

Long Flat Nose Pliers with Dual-Component Synthetic Handle







PRODUCT DETAILS

- HS series flat nose pliers
- ESD safe long foam handles with return spring
- High performance alloy steel
- Polished finish
- Numerically controlled machine grinding ensures edge angle accuracy and contact, increasing tool reliability and consistency
- Tough, hardened 42-46 HRC
- Screw joint minimises friction and maximises jaw alignment
- 20 mm smooth gripping jaws with radiused edges



PRODUCT ATTRIBUTES

Product: **HS7490**

	Flat Nose		S	A	152.3 mm
A	5.99 in	B	20 mm	B	0.79 in
C	9 mm	C	0.35 in	D	6 mm
D	0.24 inch	E	1.2 mm	E	0.05 in
F	3.2 mm	F	0.13 in		Smooth
	100 g				