



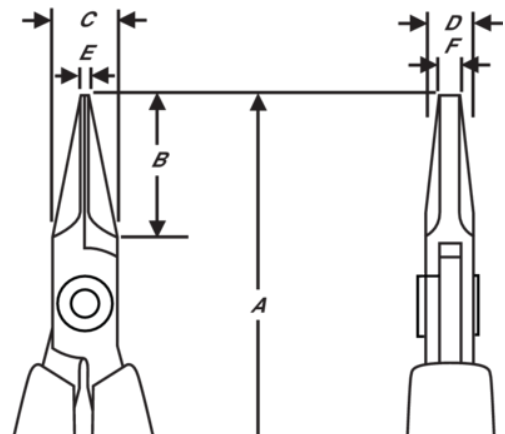
### HS 7893

**Long Snipe Nose Pliers with  
Synthetic Handle & Smooth Jaw  
120 mm**







#### PRODUCT DETAILS

- HS series short snipe nose pliers
- ESD safe long foam handles with return spring
- High performance alloy steel
- Polished finish
- Numerically controlled machine grinding ensures edge angle accuracy and contact, increasing tool reliability and consistency
- Tough, hardened 42-46 HRC
- Screw joint minimises friction and maximises jaw alignment
- 20 mm smooth jaws with radiused edges



PRODUCT ATTRIBUTES

Product: **HS 7893**

	Snipe Nose, Short		S	<b>A</b>	152.3 mm
<b>A</b>	5.99 in	<b>B</b>	20 mm	<b>B</b>	0.79 in
<b>C</b>	9 mm	<b>C</b>	0.35 in	<b>D</b>	6 mm
<b>D</b>	0.24 inch	<b>E</b>	1.2 mm	<b>E</b>	0.05 in
<b>F</b>	0.8 mm	<b>F</b>	0.03 in		Smooth
	103 g	<b>Ω</b>	Dissipative		