



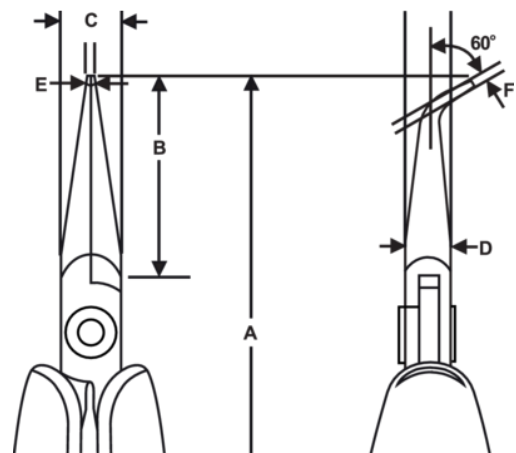
HS 7892

Long 60° Bent Tip Snipe Nose
Pliers with Synthetic Handle 129
mm







PRODUCT DETAILS

- HS series snipe nose pliers with bent tip
- ESD safe long foam handles with return spring
- High performance alloy steel
- Polished finish
- Numerically controlled machine grinding ensures edge angle accuracy and contact, increasing tool reliability and consistency
- Tough, hardened 42-46 HRC
- Screw joint minimises friction and maximises jaw alignment
- 29 mm smooth jaws bent at 60° with radiused edges



PRODUCT ATTRIBUTES

Product: **HS 7892**

| | | | | | |
|---|-----------|---|-------------|---|----------|
|  | Bent Nose |  | M | A | 161.3 mm |
| A | 6.35 in | B | 29 mm | B | 1.14 in |
| C | 9 mm | C | 0.35 in | D | 6 mm |
| D | 0.24 inch | E | 1.2 mm | E | 0.05 in |
| F | 0.8 mm | F | 0.03 in |  | Smooth |
|  | 106 g | Ω | Dissipative | | |