



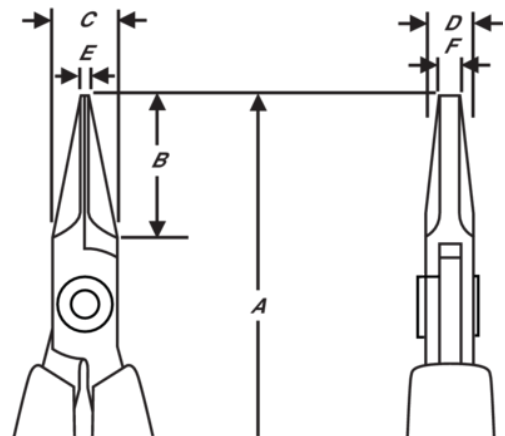
HS 7891

Long Snipe Nose Pliers with
Synthetic Handle & Serrated Jaw
132 mm







PRODUCT DETAILS

- HS series snipe nose pliers
- ESD safe long foam handles with return spring
- High performance alloy steel
- Polished finish
- Numerically controlled machine grinding ensures edge angle accuracy and contact, increasing tool reliability and consistency
- Tough, hardened 42-46 HRC
- Screw joint minimises friction and maximises jaw alignment
- 32 mm jaws with radiused edges



PRODUCT ATTRIBUTES

Product: **HS 7891**

	Chain Nose		M	A	164.3 mm
A	6.47 in	B	32 mm	B	1.26 in
C	9 mm	C	0.35 in	D	6 mm
D	0.24 inch	E	1.2 mm	E	0.05 in
F	0.8 mm	F	0.03 in		Serrated
	106 g	Ω	Dissipative		