



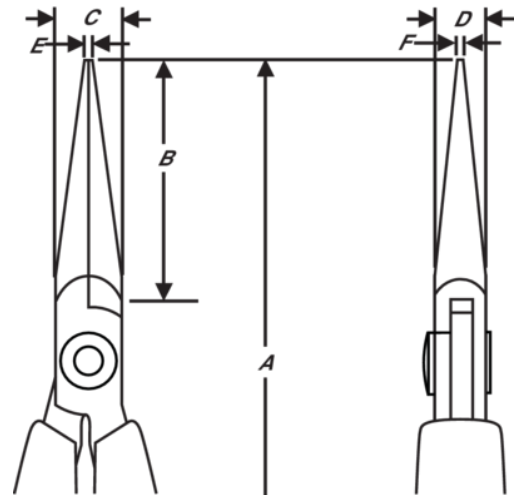
7891

## Snipe Nose Pliers with Synthetic Handle & Serrated Jaw 132 mm







### PRODUCT DETAILS

- Supreme series snipe nose pliers
- ESD safe mono-material handles with return spring
- High performance alloyed steel
- Polished finish
- Numerically controlled machine grinding guarantees accuracy & increases the tools reliability & consistency
- Tough hardened 42-46 HRC
- Screw joint that minimizes friction & maximizes jaw alignment
- 32 mm jaws with radiused edges
- CO standard handle shape in conductive material



PRODUCT ATTRIBUTES

Product: **7891**

	Chain Nose		M	<b>A</b>	132 mm
<b>A</b>	5.20 in	<b>B</b>	32 mm	<b>B</b>	1.26 in
<b>C</b>	9 mm	<b>C</b>	0.35 in	<b>D</b>	6 mm
<b>D</b>	0.24 inch	<b>E</b>	1.2 mm	<b>E</b>	0.05 in
<b>F</b>	0.8 mm	<b>F</b>	0.03 in		Serrated
	72 g	<b>Ω</b>	Dissipative		