

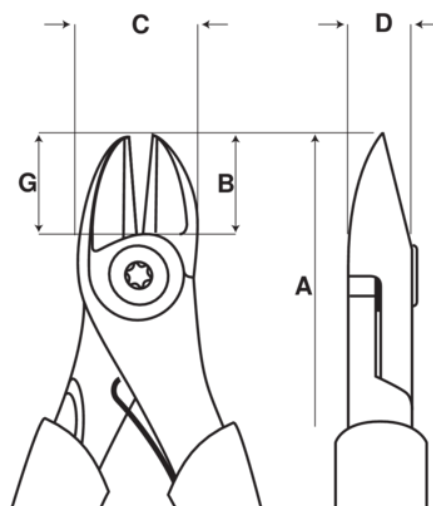


## TRX 8180 Heavy Duty Diagonal Cutter with Dual-Component Handle 4.5 mm



### PRODUCT DETAILS

- Heavy duty cutter
- Handles with two-component combination, thermoplastic surface on tough polypropylene which gives superior grip
- Cutting capacity: 4.5 mm Cu, 3 mm Fe+ & 2.5 mm of piano wire
- Equipped with a return spring featuring & on/off function
- High performance alloyed steel
- Burnished finish, anti-corrosion treated
- High leverage side cutting pliers
- induction-hardened cutting edges
- Progressive edges: the cutting radius progresses along the edge in order to cut hard material
- Piano wire close to the joint & soft materials like copper & plastic insulated wire at the tip
- Screw joint provides excellent running & accurate alignment of the cutting edges
- High leverage: redesigned for optimum cutting performance & reduced cutting effort



PRODUCT ATTRIBUTES

Product: **TRX 8180**

	Oval		L		Progressive Bevel
	4.5 mm		0.177 in		3.0 mm
	0.118 in		2.5 mm		0.10 in
<b>A</b>	210 mm	<b>A</b>	8.26 in	<b>B</b>	21 mm
<b>B</b>	0.82 in	<b>C</b>	29 mm	<b>C</b>	1.141 in
<b>D</b>	11 mm	<b>D</b>	0.433 inch		304 g