



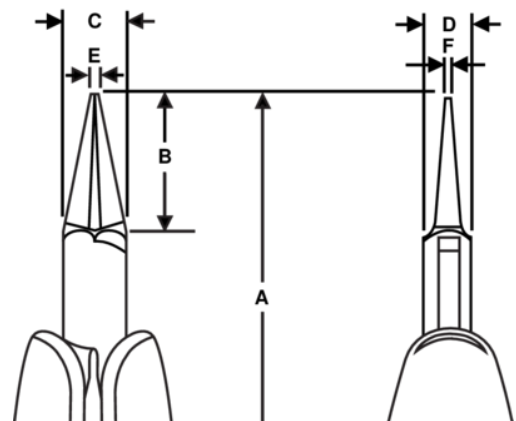
## 7590 CO

### Round Nose Pliers with Conductive Material Handle 120 mm







#### PRODUCT DETAILS

- Supreme series round nose pliers
- Round jaws taper from 7 mm to 1.0 mm at the tip
- ESD safe mono-material handles with return spring
- High performance alloyed steel
- Polished finish
- Numerically controlled machine grinding guarantees accuracy & increases the tools reliability & consistency
- Tough hardened 42-46 HRC
- Screw joint that minimizes friction & maximizes jaw alignment
- Round jaws with no sharp edges
- 7591 with long tip



PRODUCT ATTRIBUTES

Product: **7590 CO**

	Round Nose		S	<b>A</b>	146.5 mm
<b>A</b>	5.77 in	<b>B</b>	20 mm	<b>B</b>	0.79 in
<b>C</b>	9 mm	<b>C</b>	0.35 in	<b>D</b>	6 mm
<b>D</b>	0.24 inch	<b>E</b>	1.4 mm	<b>E</b>	0.055 in
<b>F</b>	0.7 mm	<b>F</b>	0.027 in		Smooth
	54 g	<b>Ω</b>	Conductive		