

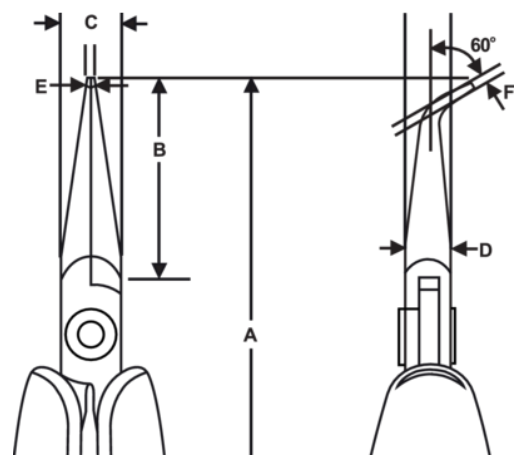


**HS 7892**  
**Long 60° Bent Tip Snipe Nose**  
**Pliers with Synthetic Handle**







**PRODUCT DETAILS**

- HS series snipe nose pliers with bent tip
- ESD safe long foam handles with return spring
- High performance alloy steel
- Polished finish
- Numerically controlled machine grinding ensures edge angle accuracy and contact, increasing tool reliability and consistency
- Tough, hardened 42-46 HRC
- Screw joint minimises friction and maximises jaw alignment
- 29 mm smooth jaws bent at 60° with radiused edges



PRODUCT ATTRIBUTES

Product: **HS 7892**

	Bent Nose		M	<b>A</b>	161.3 mm
<b>A</b>	6.35 in	<b>B</b>	29 mm	<b>B</b>	1.14 in
<b>C</b>	9 mm	<b>C</b>	0.35 in	<b>D</b>	6 mm
<b>D</b>	0.24 inch	<b>E</b>	1.2 mm	<b>E</b>	0.05 in
<b>F</b>	0.8 mm	<b>F</b>	0.03 in		Smooth
	106 g	<b>Ω</b>	Dissipative		