

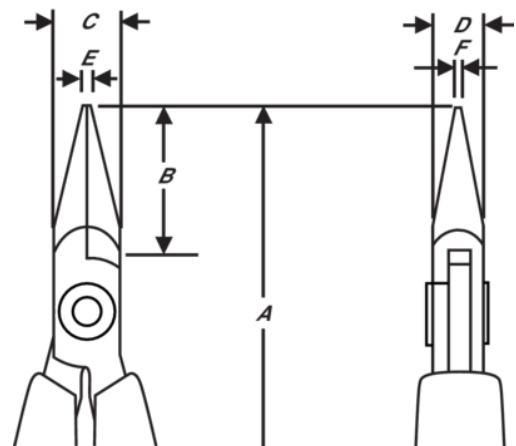
7894

Precision Needle Nose Holding Pliers with smooth Jaws & ESD Safe Handle







PRODUCT DETAILS

- Supreme series short needle nose pliers
- ESD safe mono-material handles with return spring
- High performance alloy steel
- Polished finish
- Numerically controlled machine grinding ensures edge angle accuracy and contact, increasing tool reliability and consistency
- Tough, hardened 42-46 HRC
- Screw joint minimises friction and maximises jaw alignment
- 32 mm smooth jaws with radiused edges



PRODUCT ATTRIBUTES

Product: **7894**

	Needle Nose		L	A	132 mm
A	5.20 in	B	32 mm	B	1,26 in
C	9 mm	C	0.35 in	D	6 mm
D	0,24 inch	E	1,2 mm	E	0,05 in
F	0,8 mm	F	0,03 in		Smooth
	56 g	Ω	Dissipative		