



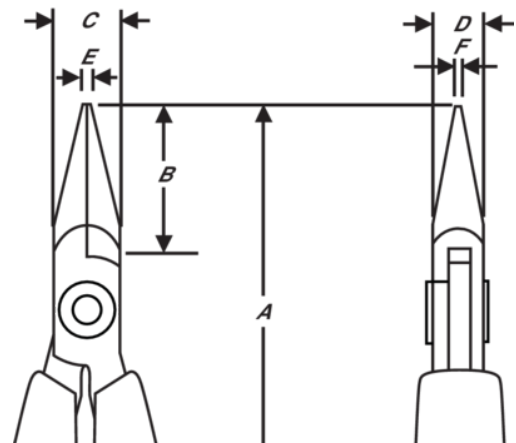
RX 7894

ERGO™ Precision Needle Nose Holding Pliers with smooth Jaws







PRODUCT DETAILS

- Precision round nose pliers developed according to the scientific ERGO™ process
- ERGO™ handles with two-component combination and thermoplastic surface for comfortable grip, on tough polypropylene core for rigidity
- High performance alloy steel
- Polished finish
- Numerically controlled machine grinding ensures accuracy and increases tool reliability and consistency
- Tough, hardened 42-46 HRC
- Screw joint minimises friction and maximises jaw alignment
- ESD safe handles in two-component synthetic material
- Micro-Touch: the handle shape allows the pliers to be controlled and rotated between the thumb and index finger for precision work
- Bio spring limits tension through the working cycle of the tool and can be adjusted to 3 different positions or removed



PRODUCT ATTRIBUTES

Product: **RX 7894**

	Needle Nose		L	A	158.5 mm
A	6.24 in	B	32 mm	B	1.26 in
C	9 mm	C	0.35 in	D	6 mm
D	0.24 inch	E	1.2 mm	E	0.05 in
F	0.8 mm	F	0.03 in		Smooth
	70 g	Ω	Dissipative		