



8211

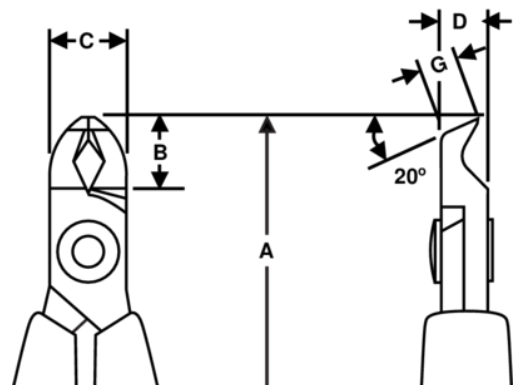
Short Precision 20° Head Oblique Cutters 0.2 mm-1.2 mm



PRODUCT DETAILS

- 80 Series precision oblique cutter with Short Head
- ESD safe mono-material handles with return spring
- Flush cut
- The cutting capacity given is for copper wire
- Suitable for cutting Cu
- High performance alloyed steel

- Burnished finish
- Numerically controlled machine grinding guarantees edge angle accuracy & contact, increases the tools reliability & consistency
- Precision induction hardened edges 63-65 HRC
- Screw joint that minimizes friction & maximizes alignment of cutting edges
- Ideal for rework & close assembly needs
- CO standard handle shape in conductive material



PRODUCT ATTRIBUTES

Product: **8211**

	Angle 20°		S		Flush
	0.2-1.2 mm		0.01-0.05 in	A	110 mm
A	4.33 in	B	9.5 mm	B	0.37 in
C	10 mm	C	0.39 in	D	6 mm
D	0.24 inch	G	4.1 mm	G	0.16 in
	43 g	Ω	Dissipative		