



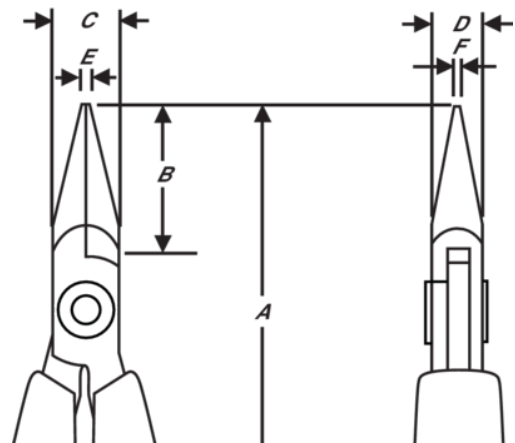
## RX 7894

### ERGO™ Precision Needle Nose Holding Pliers with smooth Jaws







#### PRODUCT DETAILS

- Precision round nose pliers developed according to the scientific ERGO™ process
- ERGO™ handles with two-component combination and thermoplastic surface for comfortable grip, on tough polypropylene core for rigidity
- High performance alloy steel
- Polished finish
- Numerically controlled machine grinding ensures accuracy and increases tool reliability and consistency
- Tough, hardened 42-46 HRC
- Screw joint minimises friction and maximises jaw alignment
- ESD safe handles in two-component synthetic material
- Micro-Touch: the handle shape allows the pliers to be controlled and rotated between the thumb and index finger for precision work
- Bio spring limits tension through the working cycle of the tool and can be adjusted to 3 different positions or removed



PRODUCT ATTRIBUTES

Product: **RX 7894**

	Needle Nose		L	<b>A</b>	158.5 mm
<b>A</b>	6.24 in	<b>B</b>	32 mm	<b>B</b>	1.26 in
<b>C</b>	9 mm	<b>C</b>	0.35 in	<b>D</b>	6 mm
<b>D</b>	0.24 inch	<b>E</b>	1.2 mm	<b>E</b>	0.05 in
<b>F</b>	0.8 mm	<b>F</b>	0.03 in		Smooth
	70 g	<b>Ω</b>	Dissipative		