



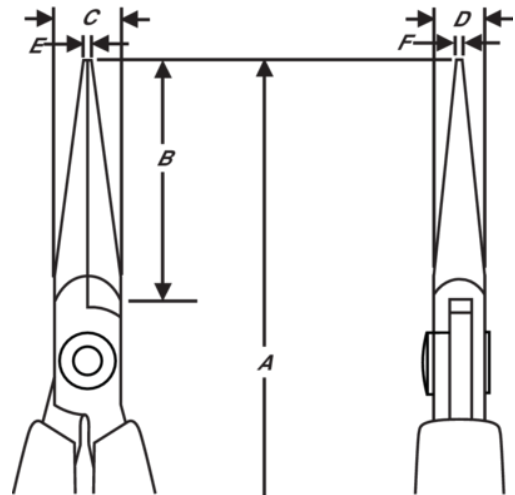
7890

## Snipe Nose Pliers with Synthetic Handle & Smooth Jaw 132 mm







### PRODUCT DETAILS

- Supreme series snipe nose pliers
- ESD safe mono-material handles with return spring
- High performance alloyed steel
- Polished finish
- Numerically controlled machine grinding guarantees accuracy & increases the tools reliability & consistency
- Tough hardened 42-46 HRC
- Screw joint that minimizes friction & maximizes jaw alignment
- 32 mm jaws with radiused edges
- CO standard handle shape in conductive material



PRODUCT ATTRIBUTES

Product: **7890**

|   |            |   |             |   |         |
|---|------------|---|-------------|---|---------|
|  | Chain Nose |  | M           | <b>A</b>  | 132 mm  |
| <b>A</b>  | 5.20 in    | <b>B</b>  | 32 mm       | <b>B</b>  | 1.26 in |
| <b>C</b>  | 9 mm       | <b>C</b>  | 0.35 in     | <b>D</b>  | 6 mm    |
| <b>D</b>  | 0.24 inch  | <b>E</b>  | 1.2 mm      | <b>E</b>  | 0.05 in |
| <b>F</b>  | 0.8 mm     | <b>F</b>  | 0.03 in     |  | Smooth  |
|  | 72 g       | <b>Ω</b>  | Dissipative |   |         |