

**New!**

## TRx8180 Heavy-Duty Cutter





- Non-slip handle with "gills" produces a positive grip.
- New progressive cutting edges – suited for copper wire at the tip and hard steel wire near the jaws – for versatile operation.
- Tough design makes this cutter ideal for production, maintenance, repair and service applications.
- Micro-Bevel cutting edges hardened to 63-65 HRC for durable performance.
- High leverage joint to reduce cutting force.
- Easy on/off spring enables reduced profile for easy storage.

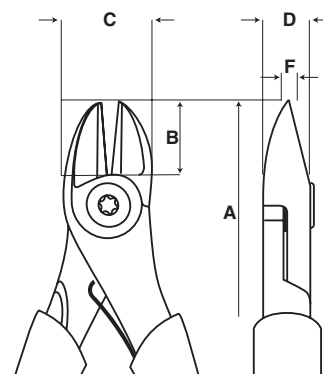
# New!

## TRx8180 Heavy-Duty Cutter

Lindstrom introduces a large cutter in the RX series for use on copper wire, wire cables and hard wire applications. The TRx8180 heavy-duty cutter can handle solid copper wire and hard steel wire from 24 gauge (0.5 mm/0.02 inch) up to 9 gauge (2.75 mm/0.11 inch) utilizing the new "progressive cut" beveled edges. The specially designed thumb-release spring can be disabled so the TRx8180 will slide into and out of utility belts easily.



Prod. Code	EAN Code	A mm / in	B mm / in	C mm / in	D mm / in	F mm / in		
TRx8180	0112272	210 /8.26	22 /0.87	29 /1.14	11 /0.43	1.5 /0.06	265	1



**LINDSTROM**  
PRECISION TOOLS

[www.lindstromtools.com](http://www.lindstromtools.com)