

**New!**

## ESD Safe Plastic Cutters

ESD safe requirements are no longer just confined to electronics manufacturing. Today electronic equipment requires maintenance across varied areas, the demand for more ESD safe tools has increased. Therefore, Lindstrom now offers two new plastic cutters built to the same existing standards as our already well-known product ranges.




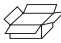
- Tapered and Relieved cutting head for applications where access is limited.
- Extremely strong construction for long lasting performance.
- Ultra Flush cutting edges provide a smooth and clean cut.
- Ergonomic handles provide an on/off spring for use at operator's option.
- ESD safe handles.

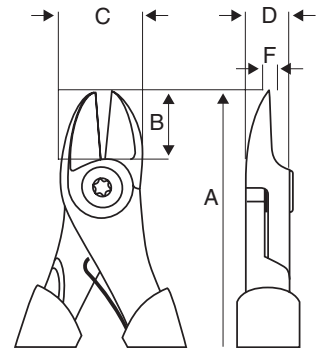
# New!

## ESD Safe Plastic Cutters

The P6140 and P6160 are suitable to cut cable ties on wire harnessing and plastic components within electronics equipment. These rugged Lindstrom tools offer the user a well balanced feel and a high quality precision cut, ideal for cutting shielded cable, multi-core cable, plastic sprues and flashing within many injection molding applications.



Prod. Code	EAN Code	A mm / in	B mm / in	C mm / in	D mm / in	F mm / in	Cap. mm / in		
P6140	0115068	140 5.51	16 0.63	19,5 0.77	9 0.35	1.3 0.051	12 0.47	126	1
P6160	0115075	160 6.3	18 0.7	21,5 0.85	10 0.39	1.5 0.059	15 0.59	162	1



[www.lindstromtools.com](http://www.lindstromtools.com)